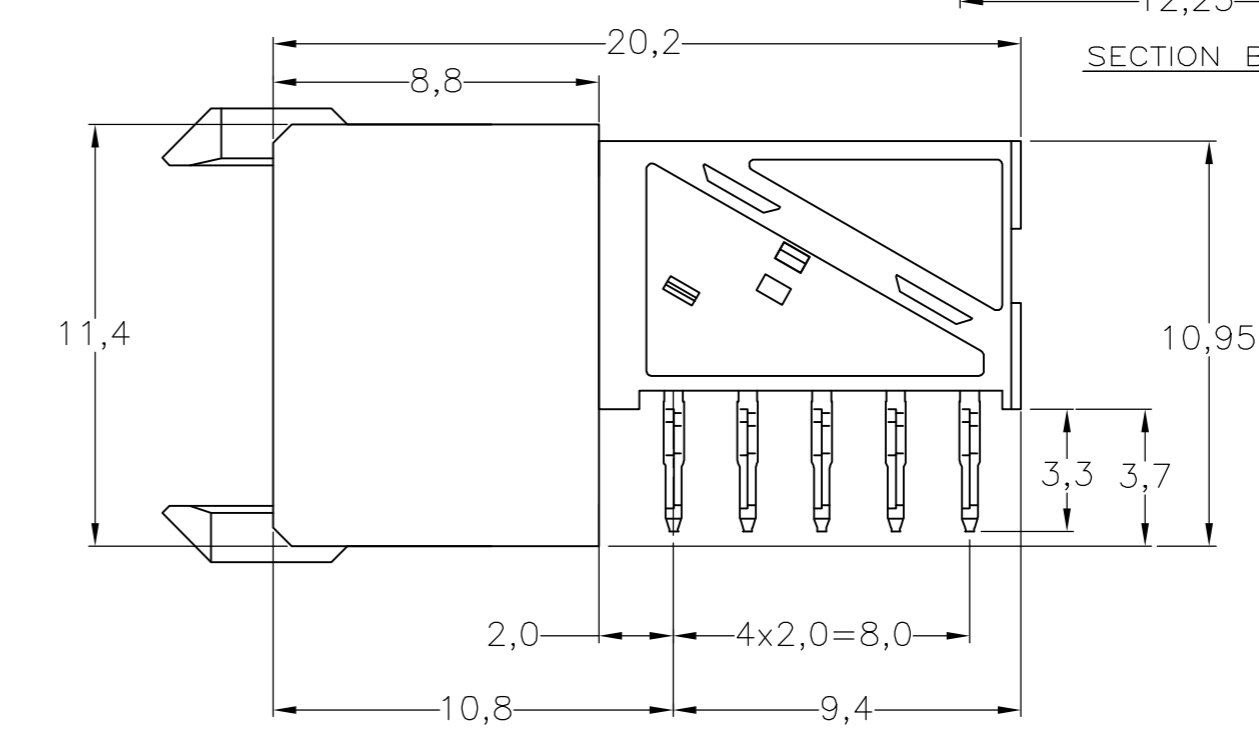
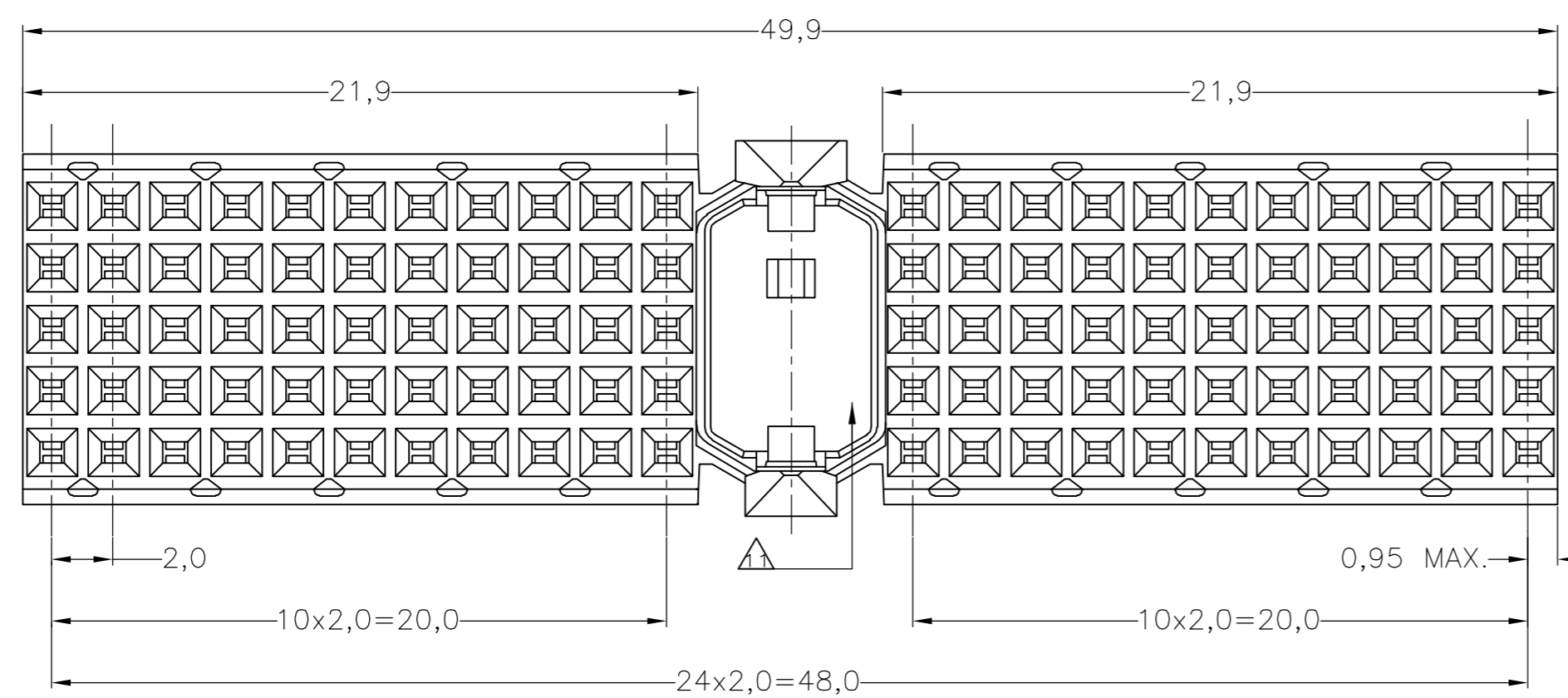
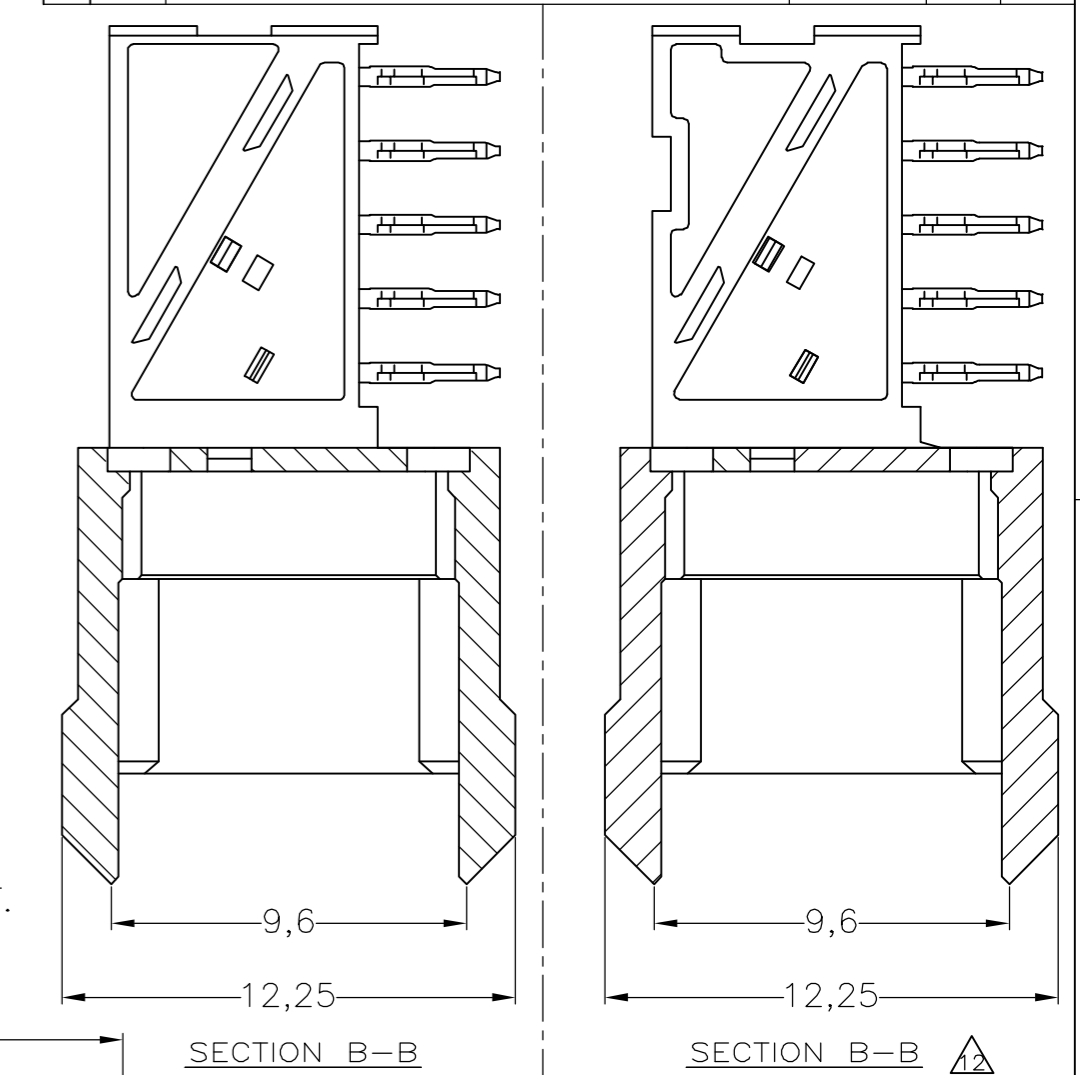
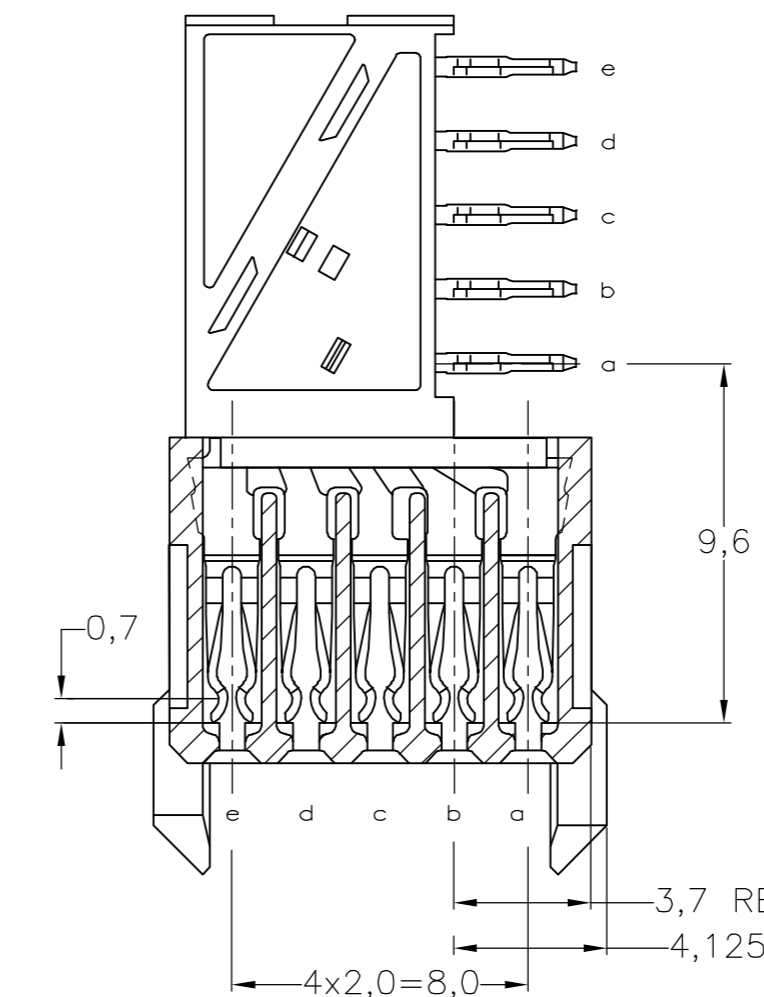
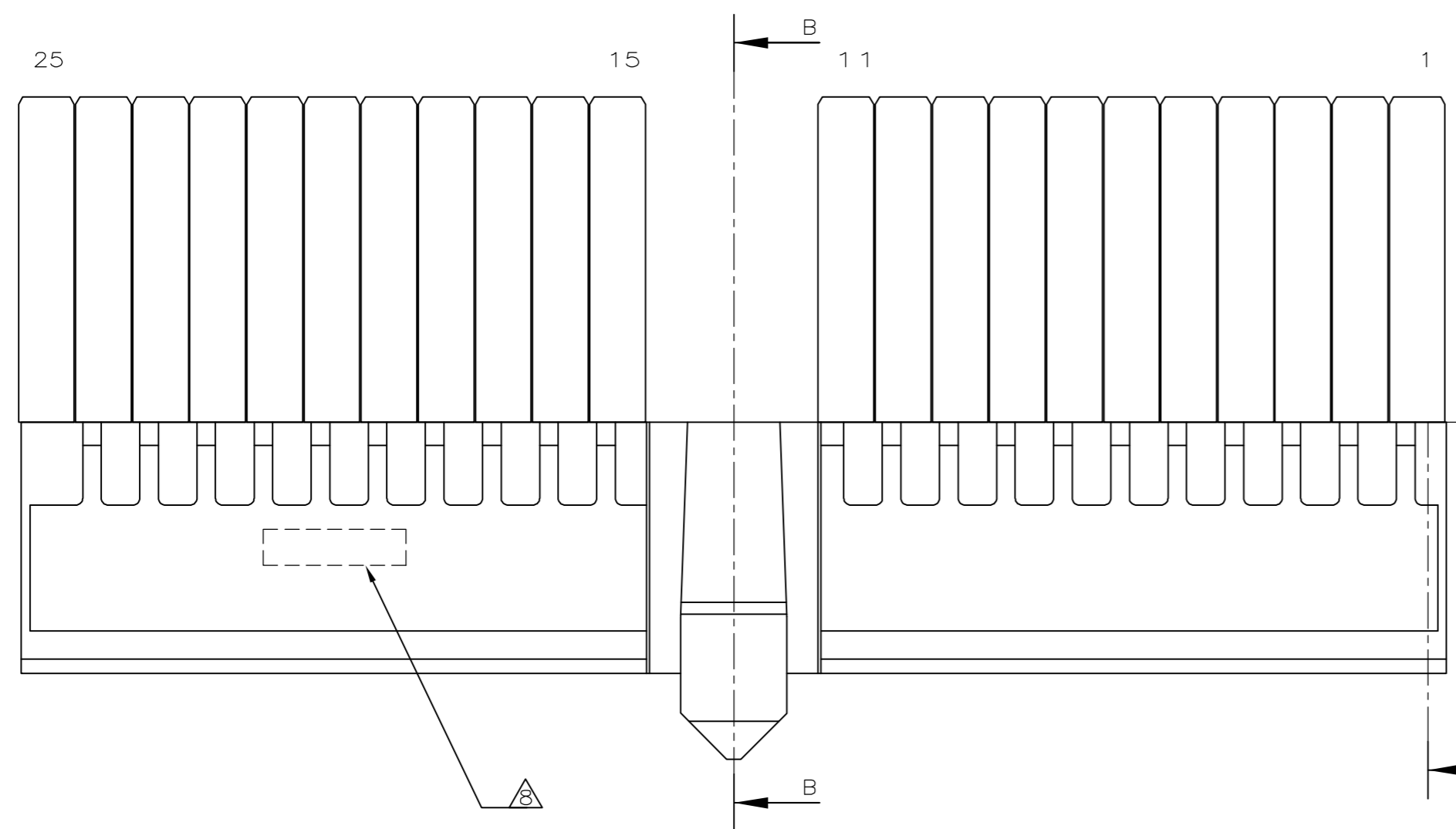
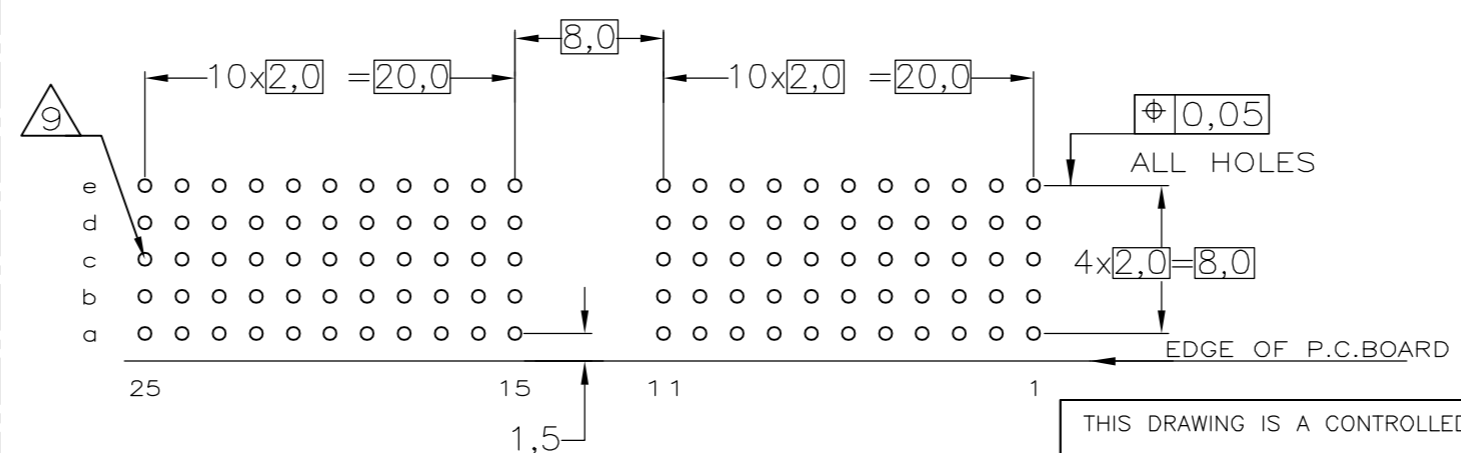


LOC	DIST	REVISIONS			
P	LTR	DESCRIPTION	DATE	DWN	APVD
M		EHC0-0195-04	11-05-04	DvdB	BM
N		EH10-0680-05	01-06-05	BSV	BM
N1		ECR-06-002635	07-02-06	BSV	BM



- NOTES:**
- △ MATERIAL CONTACT; PHOSPHORBRONZE
 - △ MATERIAL HOUSING; GLASSFILLED POLYESTER (GRAY) UL-RATING 49V0
 - △ GENERAL PLATING SPECIFICATION: UNDERPLATING (ENTIRE CONTACT): 1,27µm NICKEL MIN. AND ACTION PIN: 0,5µm TIN-LEAD MIN. FOR PLATING OF MATING SURFACES SEE APPLICABLE SPECIFICATION REFERENCE FOR EACH DASH NUMBER.
 - △ CONFORMS TO ALL TESTING ACCORDING IEC 61076-4-101 PERFORMANCE LEVEL 2.
 - △ CONFORMS TO ALL TESTING ACCORDING IEC 61076-4-101 PERFORMANCE LEVEL 1.
 - △ CONNECTOR TESTED AND QUALIFIED AGAINST TELCORDIA GR-1217-CORE QUALITY LEVEL III, CENTRAL OFFICE APPLICATIONS.
 - △ CONNECTOR TESTED AND QUALIFIED AGAINST TELCORDIA GR-1217-CORE QUALITY LEVEL III, UNCONTROLLED ENVIRONMENT APPLICATIONS.
 - △ CONNECTOR LUBRICATED WITH TELCORDIA GR-1217-CORE APPROVED LUBRICANT.
 - △ CONNECTOR MARKED WITH PARTNUMBER AND DATECODE. THE MARKING CAN APPEAR ON THE FRONT SIDE OR ON THE BACK SIDE.
 - △ PLATED-THROUGH HOLES AT 2x2mm SQUARE GRID. 110 HOLES.
 - △ FITS WITH INTEGRATED GROUND RETURN UPPERSHIELD, BASIC P.N. 338107 AND INTEGRATED GROUND RETURN LOWERSHIELD, BASIC P.N. 338108
 - △ AREA RESERVED FOR CODING KEY, BASIC P.N. 100526
 - △ CONNECTOR ASSEMBLED WITH ALTERNATE FEMALE CONTACTS.



SCALE 2,5:1
COMPONENT SIDE AS SHOWN
RECOMMENDED PCB-HOLE LAY-OUT

P.C.B. HOLE DIM. ACTION PIN
FOR DETAILS SEE
APPLICATION SPECIFICATION

THIS DRAWING IS A CONTROLLED DOCUMENT.		DWN D.TRUREN 20JAN97		Tyco Electronics Corporation s-HertogenBosch, Netherlands,	
DIMENSIONS: MM		CHK W.V.D.HEIJDEN 20JAN97		NAME Z-PACK 2mm HM TYPE A 110 POS. FEMALE CONNECTOR	
TOLERANCES UNLESS OTHERWISE SPECIFIED:		APVD F.V.D.KONINGSBRUGGE	PRODUCT SPEC 108-19082		
0 PLC ± -		APPLICATION SPEC 114-19029	DRAWING NO 100147		
1 PLC ± -		WEIGHT	RESTRICTED TO		
2 PLC ± -		CUSTOMER DRAWING			
3 PLC ± -		SCALE NTS SHEET 1 OF 1 REV N1			
4 PLC ± -					
ANGLES ± -					
FINISH					

100147